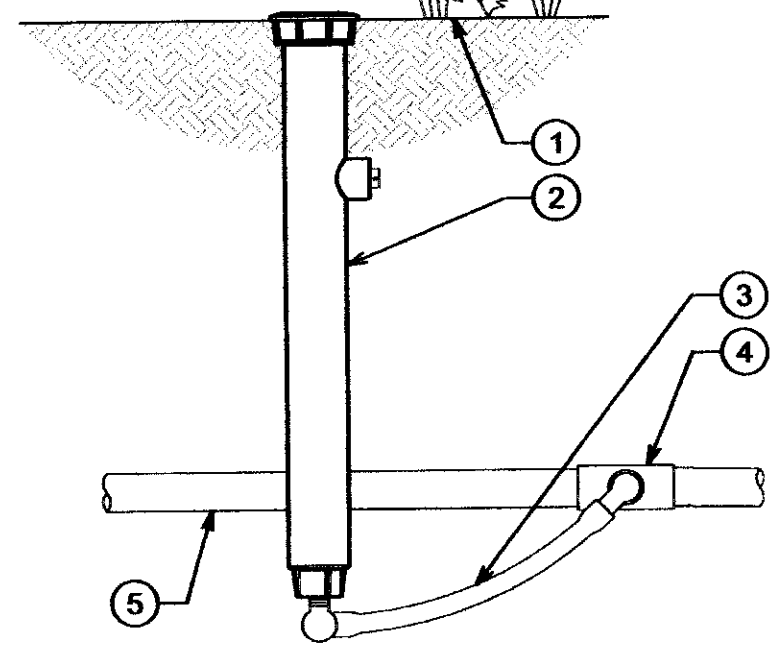


K MANUFACTURING
RAIN

- 1 FINISH GRADE
- 2 K-RAIN PRO-S SPRAY MODEL 78012 12" POP-UP SPRAY
- 3 1/2" FLEX SWING JOINT
- 4 LATERAL TEE OR ELL
- 5 LATERAL PIPE

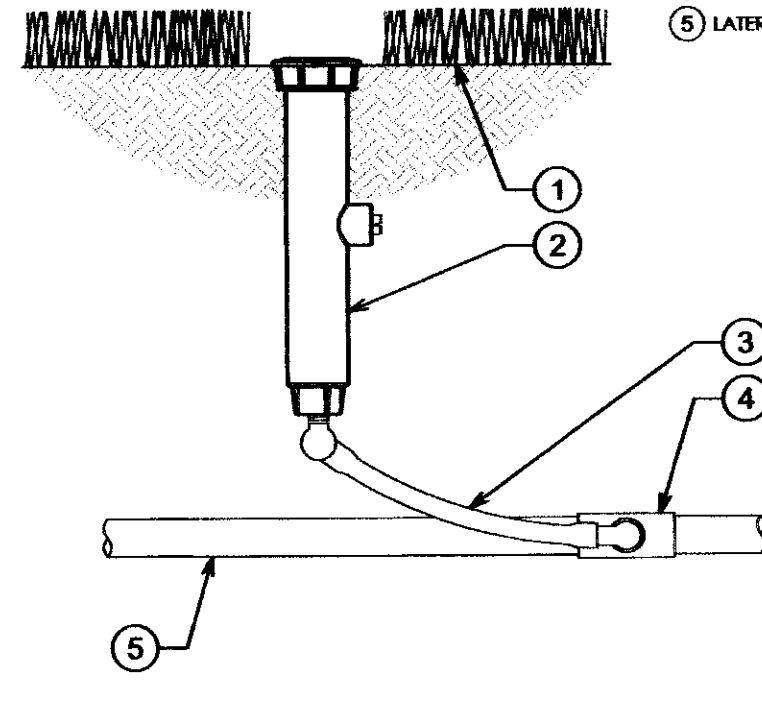


00 K-RAIN PRO-S SPRAY WITH 12" POP-UP
3" = 1'-0"

www.krain.com

K MANUFACTURING
RAIN

- 1 FINISH GRADE
- 2 K-RAIN PRO-S SPRAY MODEL 78016 6" POP-UP SPRAY
- 3 1/2" FLEX SWING JOINT
- 4 LATERAL TEE OR ELL
- 5 LATERAL PIPE

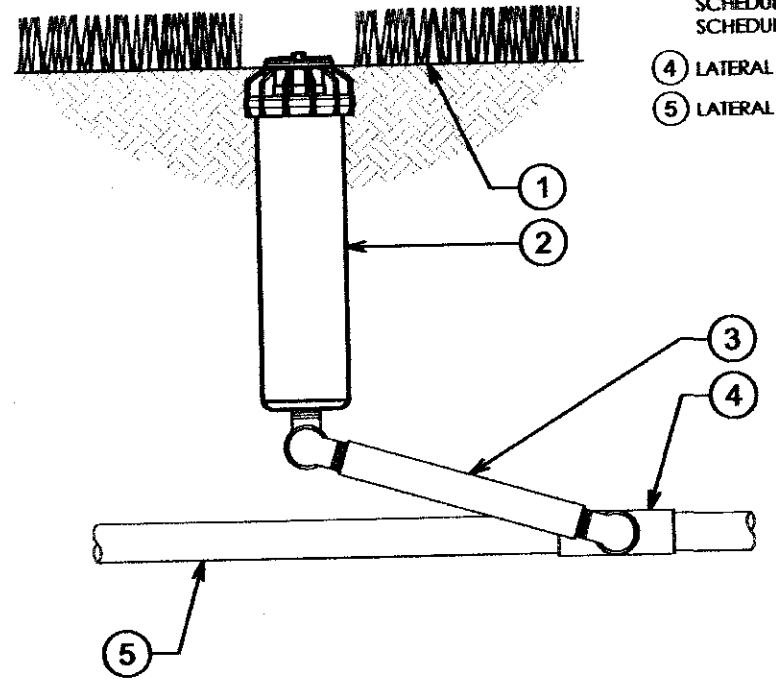


00 K-RAIN PRO-S SPRAY WITH 6" POP-UP
3" = 1'-0"

www.krain.com

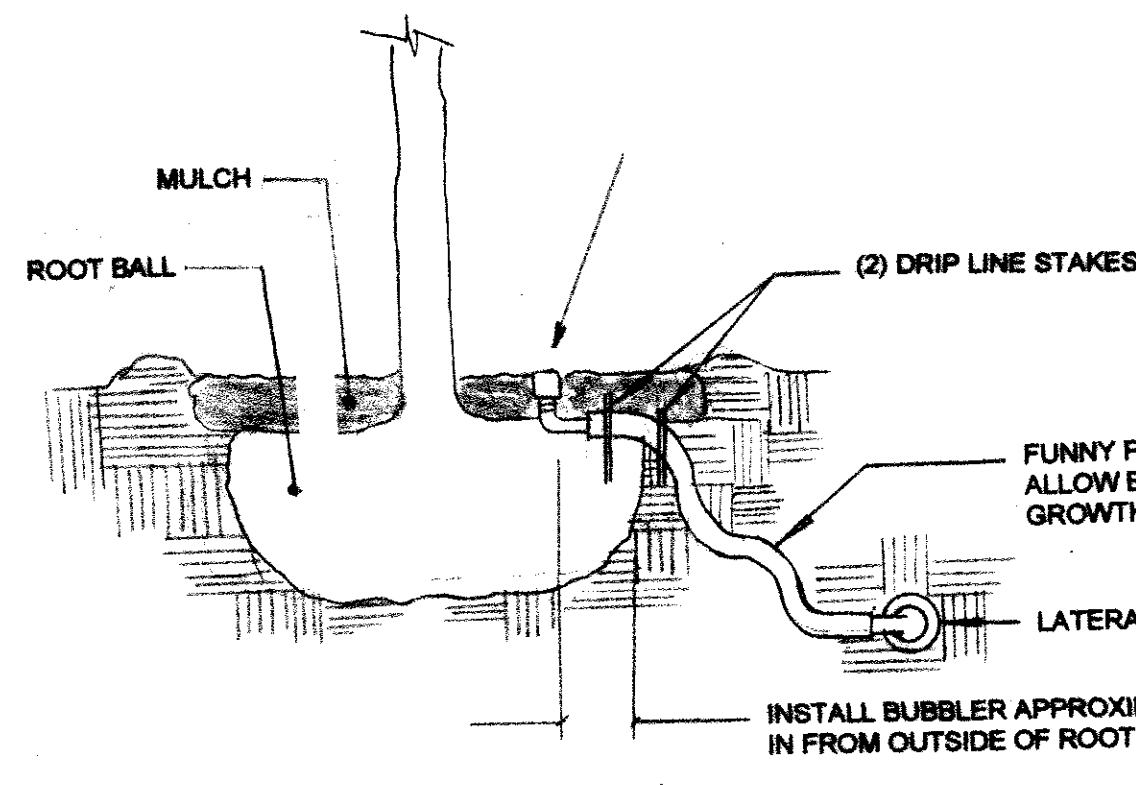
K MANUFACTURING
RAIN

- 1 FINISH GRADE
- 2 K-RAIN RPS75 GEAR DRIVE ROTOR MODEL RPS75-6NCH-CV 6" POP-UP ROTOR WITH CHECK VALVE
- 3 3/4" RIGID SWING JOINT: SCHEDULE 80 NIPPLE, SCHEDULE 40 STREET ELLS
- 4 LATERAL TEE OR ELL
- 5 LATERAL PIPE

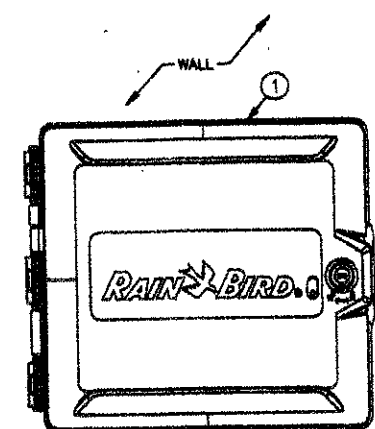


00 K-RAIN RPS75 ROTOR WITH 6" POP-UP
3" = 1'-0"

www.krain.com



TREE BUBBLER DETAIL



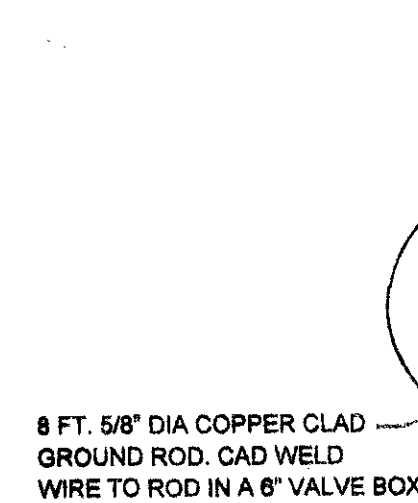
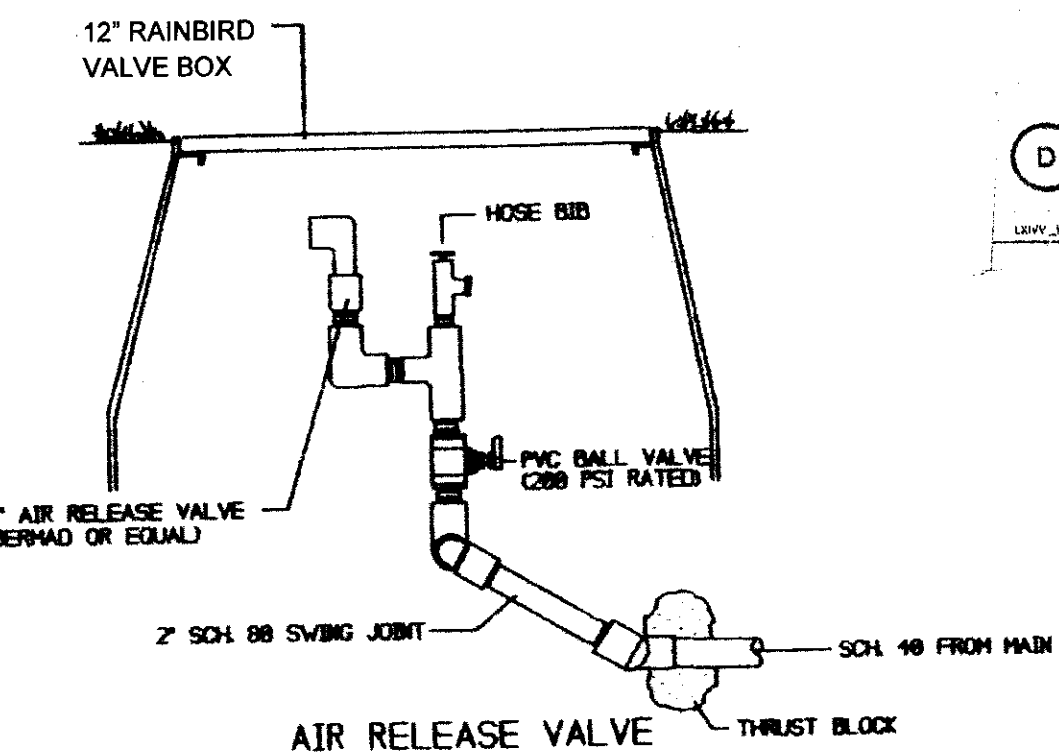
- 1 TWO-WIRE CONTROLLER: RAIN BIRD ESP-LXIVM/PRO IN PLASTIC CABINET WITH WALL MOUNT. INSTALL CONTROLLER AND CABINET ON WALL PER MANUFACTURER'S RECOMMENDATIONS.
- 2 JUNCTION BOX
- 3 1-INCH CONDUIT AND FITTINGS FOR POWER SUPPLY WIRE
- 4 2-INCH CONDUIT AND FITTINGS FOR TWO-WIRE CABLE
- 5 MAXIMIZABLE TWO-WIRE PATH TO FIELD DEVICES. USE A DIFFERENT CABLE JACKET COLOR FOR EACH PATH.
- 6 1-INCH CONDUIT AND FITTINGS FOR GROUND WIRE. ONLY FOR OUTDOOR INSTALLATIONS.

NOTES:
1. ESP-LXIVM CONTROLLER IS AVAILABLE IN TWO MODELS, THE LXIVM WITH 60 STATIONS AND THE LXIVM-PRO WITH 240 STATIONS. REFER TO THE CHART BELOW FOR DIFFERENCES BETWEEN THE TWO MODELS.
2. USE STEEL CONDUIT FOR ABOVE GRADE AND SCH 40 PVC CONDUIT FOR BELOW GRADE CONDITIONS.
3. PROVIDE PROPER GROUNDING COMPONENTS TO ACHIEVE GROUND RESISTANCE OF 10 OHMS OR LESS. IF CONTROLLER IS MOUNTED INDOORS, USE POWER SUPPLY GROUND.

KEY SPECIFICATIONS

FEATURE	MODEL
STATIONS	LXIVM 60 LXIVM-PRO 240
MAX. WIRE LENGTH (FT.)	LXIVM 800 LXIVM-PRO 1600
MAX. WIRE LENGTH (M)	LXIVM 240 LXIVM-PRO 480
WEATHER RESISTANCE	LXIVM 8 LXIVM-PRO 10

D ESP-LXIVM/PRO TWO-WIRE CONTROLLER IN PLASTIC CABINET
THIS DETAIL FOR CONNECTIONS AND GROUNDING ONLY.



#8 AWG BARE COPPER WIRE

DRC
2 WIRE GROUNDING RESISTANCE MUST BE AT 10 OHMS MAX. INSTALL ADDITIONAL GROUND RODS AS REQUIRED OR SUBSTITUTED PER SPECIFICATIONS PER RAINBIRD SPECIFICATIONS 07/01/2026

NOTES:

PIPING:
MAINLINES: SCH 40 PVC
ZONE LINES: CLASS 200 FOR 3/4" & 1", CLASS 160 FOR 1-1/4" & LARGER
SLEEVES: SCH 40 PVC SOLVENT WELD (USE NO COUPLINGS.)
FITTINGS: SCH 40 PVC

FABRICATION: SQUARE CUT, DEBURR AND FULLY ENGAGE JOINTS. USE PURPLE CLEANER AND MEDIUM BODY GREY CEMENT FOR ALL CONNECTIONS ALL PIPE AND FITTINGS TO CONFORM TO LATEST ASTM SPECS.

DEPTH OF LINES:
MAINLINE & WIRING = 24" DEEP, MIN.
SLEEVES UNDER PAVEMENT = 36" DEEP, MIN.
ZONE LINES: 18" DEEP, MIN. FOR 2" & LARGER & 15" DEEP, MIN. FOR 1-1/2" & LESS

CONTROL WIRING:
INSTALLATION SHALL BE A 2 WIRE SYSTEM. RUN A 14 AWG MAXI WIRE CABLE IN A MIN 1" GREY CONDUIT. SYSTEM SHALL BE A SMART VALVE W/ IVM-SOL SOLENOID. INSTALL A RAINBIRD IVM-OUT GROUND DEVICE WITH AN 8" COPPER GROUND ROD AT CONTROLLER. LAST VALVES AND 2 ADDITIONAL AT 500 FT. SPACING ALONG RUN ALONG NW 18 ST. SYSTEM SHALL COMPLY WITH RAINBIRD STANDARD AND SPECIFICATIONS. WIRE CONNECTIONS TO BE RAINBIRD WC20 MOISTURE PROOF.

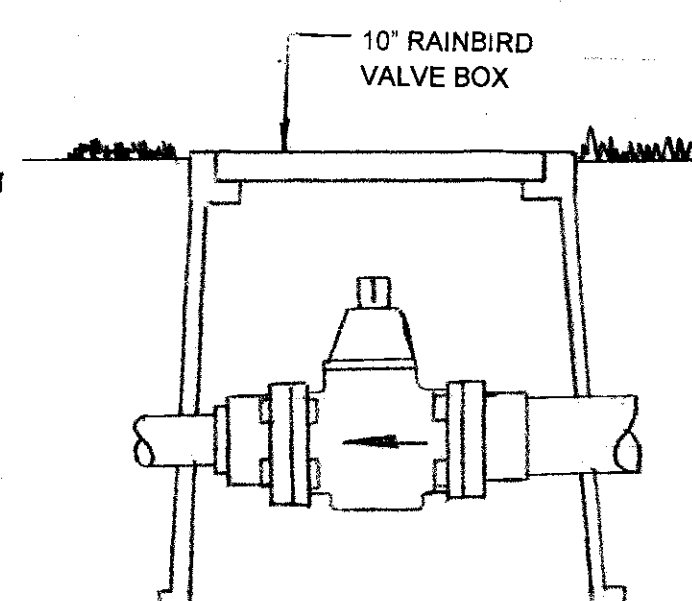
BACKFILL ALL TRENCHES FREE OF DEBRIS OR SHARP OBJECTS. USE CLEAN FILL AS LOCAL CODES REQUIRE. COMPACT TO ORIGINAL DENSITY. FLUSH ALL LINES. USE SCREENS IN ALL HEADS. ADJUST HEADS FOR PROPER COVERAGE AVOIDING WATER ON WALLS, WALKS OR PAVED AREAS. ALL DETAILS ARE GRAPHICALLY SHOWN ONLY. QUANTITIES SHOWN SHALL BE VERIFIED PRIOR TO BIDDING OR INSTALLATION. IT SHALL BE THE CONTRACTOR'S RESPONSIBILITY TO ASSURE COMPLETE OVERLAPPING COVERAGE. ANY DISCREPANCIES SHALL BE REPORTED TO THE OWNER AND LANDSCAPE ARCHITECT/IRRIGATION DESIGNER BEFORE PROCEEDING. THE LANDSCAPE ARCHITECT/IRRIGATION DESIGNER RESERVES THE RIGHT TO MAKE MINOR FIELD CHANGES. THE CONTRACTOR MAY MAKE MINOR ADJUSTMENTS/ NOZZLE SELECTION TO SUIT FIELD CONDITIONS. LOCAL CODES AND REGULATIONS SHALL TAKE PRECEDENCE OVER THE PLANS. IT SHALL BE THE CONTRACTOR'S RESPONSIBILITY TO COMPLY.

PROVIDE THE OWNER WITH AN ACCURATE 'AS INSTALLED' PLAN SHOWING THE MAINLINES, WIRE SPLICES, VALVE LOCATIONS & ROAD CROSSINGS USING TWO DIMENSIONS FROM FIXED DATUMS.
PRESSURE TEST MAINLINES AT 100 PSI FOR 2 HOURS WITH A MAX. 5 PSI LOSS ALLOWED. MAIN MAY BE TESTED IN SECTIONS. LOCATE AND REPAIR ANY LEAKS.

CONTRACTOR SHALL HAVE ALL UNDERGROUND UTILITIES LOCATED PRIOR TO COMMENCEMENT OF WORK AS REQUIRED BY FLORIDA LAW. INSTALLATION SHALL CONFORM TO THE LATEST FLORIDA BUILDING CODE, APPENDIX 'F' AND THE REGULATIONS OF THE CITY OF POMPANO BEACH, FL.

A RUST FREE AUTOMATIC UNDERGROUND IRRIGATION SYSTEM INSTALLED IN ACCORDANCE WITH THE REQUIREMENTS OF THE BUILDING CODE, INCLUDING A RAIN-SENSING CUTOFF DEVICE PROVIDING 100% COVERAGE WITH 50% OVERLAP.

ALL TREES AND PALMS SHALL HAVE A FLOOD BUBBLER LOCATED STAKED AT EDGE OF HIGH SIDE OF ROOT BALL AS SHOWN ON THE PLANS. FIELD ADJUST TO ACTUAL TREE OF PALM LOCATION



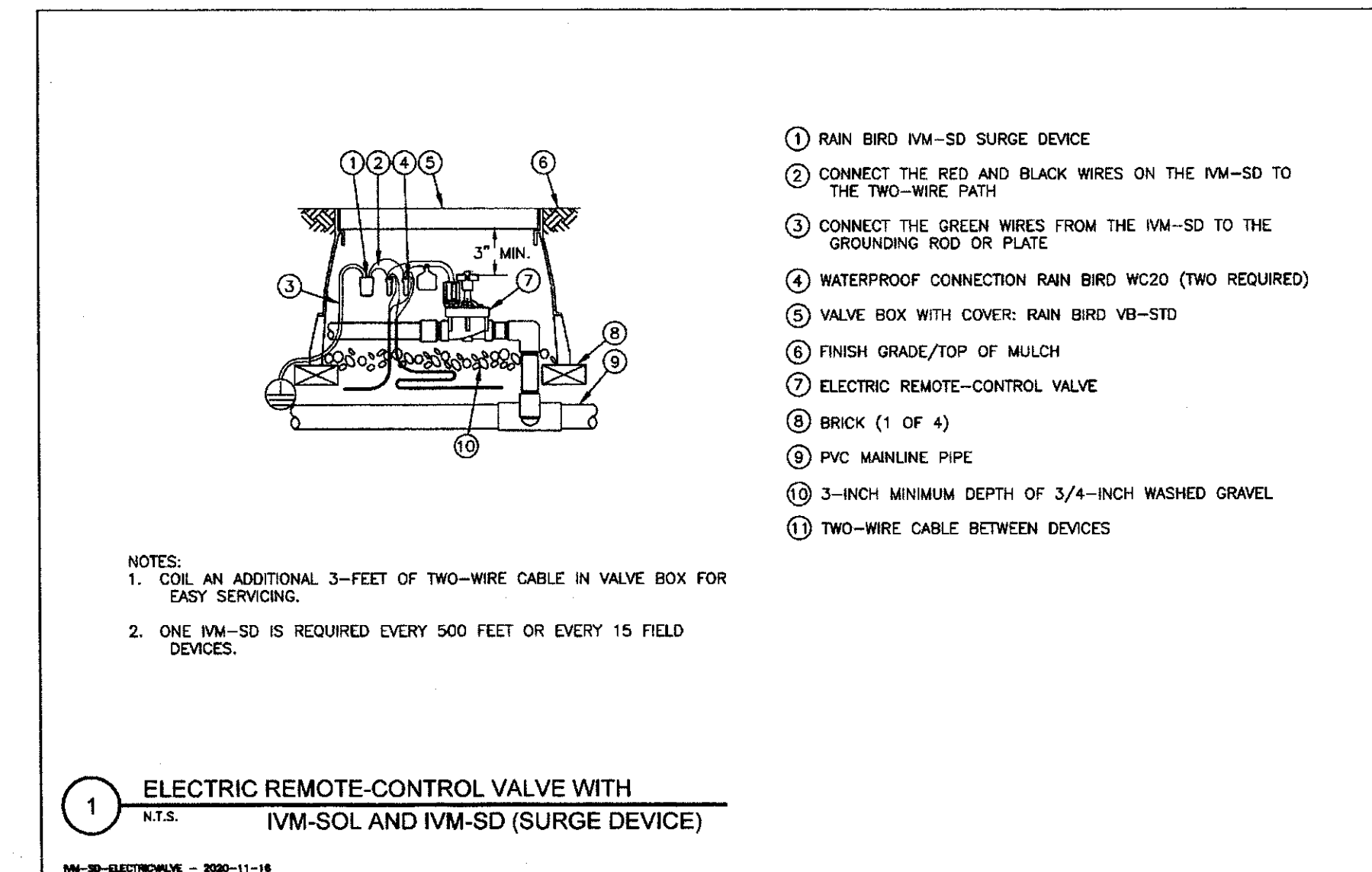
MAINLINE ISOLATION VALVE
FLANGED IRON BODY NON RISING STEM

SYM.	TYPE	MODEL	QTY.
☐	POP UP ROTORS	K-RAIN #RPS75-4.0 ADJ.	31
●		#RPS75-360-6.0	2
⑮	6" POP UP SPRAYS	K-RAIN #PRO-S-06-NOZZLE BELOW	529
⑮		-FN 15'KVF	
⑮		-FN 15'F	
⑮		-FN 15'H	
⑮		-FN 15'H	
⑮		-FN 15'KVF	
⑮		-FN 15'Q	
⑮		-FN 12'KVF	
⑮		-FN 12'H	
⑮		-FN 12'Q	
⑮		-FN 10'KVF	
⑮		-FN 10'H	
⑮		-FN 10'Q	
⑮		-FN 15'SS	
⑮		-FN 15'ES	
⑮		-5'CST(HUNTER)	
⑮	12" POP UP SPRAYS	K-RAIN #PRO-S-12-NOZZLE BELOW	13
⑮		-FN 12'KVF	
⑮		-FN 15'HL	
⑮		-FN 10'H	
⑮		-FN 15'SS	
⑮		-FN 15'ES	
●	FLOOD BUBBLERS	K-RAIN #TB-05	134

NOTES:
USE PROPER SCREENS IN ALL HEADS.
HUNTER PGP OR RAINBIRD 5004 SERIES ROTORS AND HUNTER PROS OR RAINBIRD 1800 SERIES SPRAYS MAY BE SUBSTITUTED. DO NOT MIX EXCEPT FOR NOZZLES AS REQUIRED.

SYMBOLS - LEGENDS

- MAINLINE: 3" SCH. 40 PVC 2/2 WIRE CABLE IN MIN. 1" GREY CONDUIT
- SLEEVES: SCH 40 PVC
- MAINLINE STUBOUTS W/ 10" RAINBIRD VALVE BOX
- MAINLINE ISOLATION VALVES W/ 10" RAINBIRD VALVE BOX
- 2" AIR RELEASE VALVE W/ 12" RAINBIRD VALVE BOX
- POINT OF CONNECTION:
2" WATER METER - EXISTING
3" PRESSURE BACKFLOW TO CODE
3" MASTER VALVE (INSTALL BACKFLOW IN A GUARD SHACK ENCLOSURE W/ CONCRETE PAD TO COVER BACKFLOW MANIFOLD)
- CONTROLLER: RAINBIRD ESP/LXIVM. INSTALL ON BUILDING
- RAINSWITCH: IN OPEN AREA TO CODE
- ZONE VALVES: RAINBIRD PGA SERIES W/ IVM-SOL. SIZE AS NOTED ON PLANS. INSTALL IN A RAINBIRD 12" STANDARD VALVE BOX
- ZONE #
- GPM OF ZONE
- RAINBIRD IVM-SD SURGE ARRESTOR W/ DRD. PLATE OR ROD PER MFG. SPECS.



NOTES:
1. COIL AN ADDITIONAL 3- FEET OF TWO-WIRE CABLE IN VALVE BOX FOR EASY SERVICING.
2. ONE IVM-SD IS REQUIRED EVERY 500 FEET OR EVERY 15 FIELD DEVICES.

1 ELECTRIC REMOTE-CONTROL VALVE WITH IVM-SOL AND IVM-SD (SURGE DEVICE)
N.T.S.

MM-30-ELECTRICAL - 2020-11-18

Control Precipitation Design, Inc.
Irrigation Consultants
P.O. Box 2268
Boca Raton, Florida 33437
Tel: (561) 391-3936 Fax: (561) 391-5310
e-mail: info@cpdesign.com



Bonsal Turn Lane
1200 NW 18th St.
Pompano Beach, FL 33069

12/11/24 CITY COMMENTS
9/26/24 CITY COMMENTS
5/22/24 CITY COMMENTS

ISSUE HISTORY
PROJ NO: 23034A
PROJ MGR: DC
DRAWN BY: RH
CHECKED BY:

DRAWING TITLE

Irrigation
Details

SHEET:

009.16 I-7

SUBMISSION
05/06/26
NOT FOR CONSTRUCTION